

Michelangelo Sink 35" x 18" – U/M

Kitchen Sinks

Code: 1415 660

AISI 304 Stainless steel

Satin finish

Undermount

x cross bending for easy water draining



DETAILS

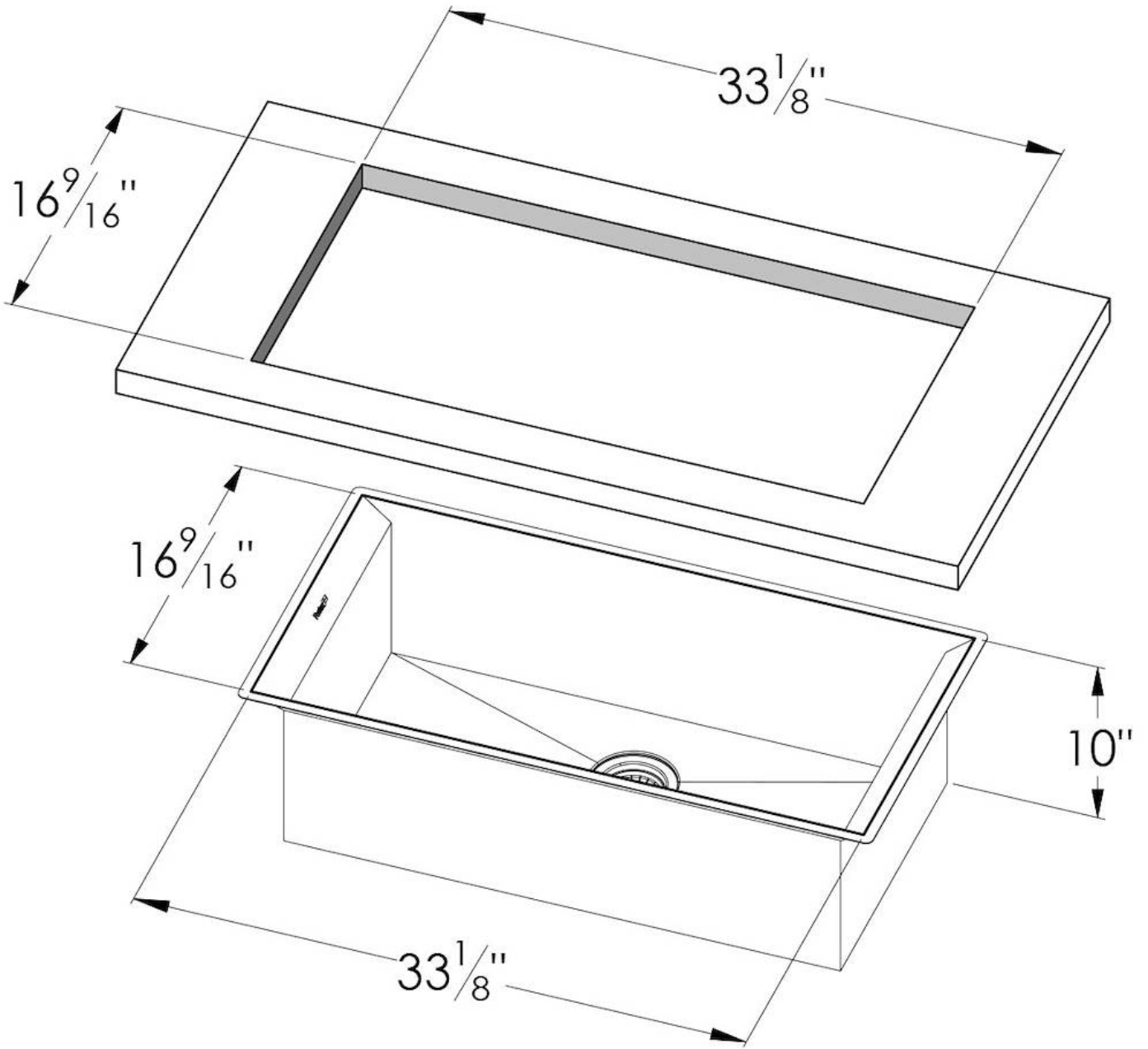
| | |
|------------------------|--|
| Edge/Installation Type | Undermount |
| Series | Michelangelo Series |
| Texture | Satin |
| Material | AISI 304 stainless steel |
| Thickness | 16 Gauge (1.5 mm) |
| Overall dimensions | 34 ⁵ / ₁₆ " x 17 ¹¹ / ₁₆ " |
| Bowls dimensions | 1 bowl 30" x 15 ⁶ / ₈ " |
| Bowls depth | 10 " |

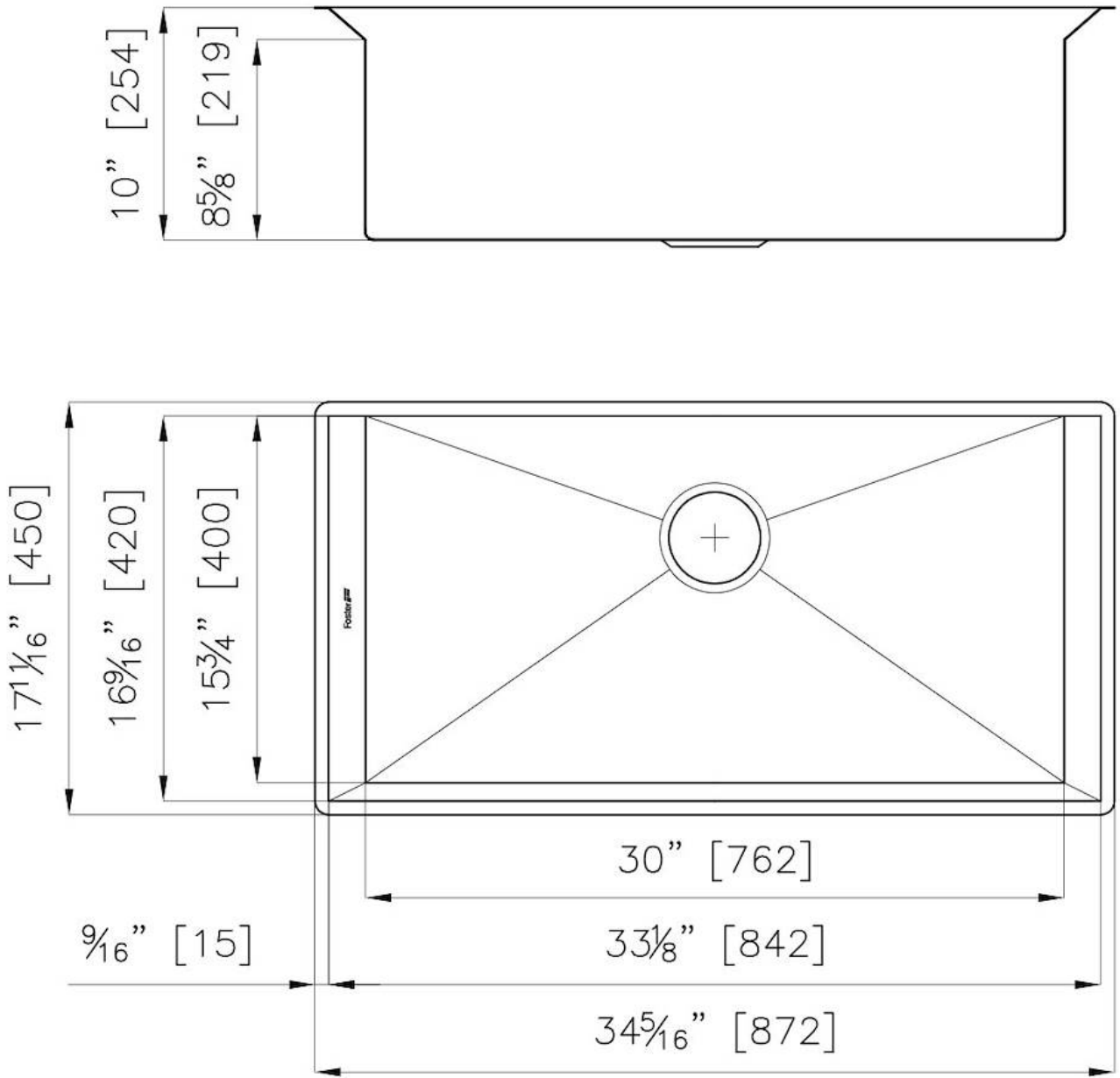
| | |
|--------------------|--|
| Cut out | 33" x 16 ^{9/16} " |
| Waste fitting type | 3 1/2" space – with satin steel cover |
| Bowls bottom | X cross bending for easy water draining |
| Underside | Protected with heavy duty undercoating |
| Fixing system | Undermount fixing kit (brass insert and clips) |

FEATURES

| | |
|----------------------------|--|
| Diamond-shape bottom | The draining of water is an important feature in a sink, and it's always taken good care of in Foster products. In the bent-welded sinks, which would have a flat bottom, the proper draining is guaranteed by the elegant beveling, which helps the water flow. |
| High thickness | 1.5 mm thick steel. A significant thickness, which guarantees the maximum sturdiness and durability. |
| Inclined recess | A deep and inclined recess houses the burners and grigs, allowing to create a single work surface. The inclination also makes it extremely easy to clean the edges. |
| Save space system | Drain and siphon are designed to leave as much space as possible in the under-sink area, more and more useful today for theseparate waste collection systems. |
| Squared bowls - 0/9 radius | The square bowls of Foster have perfectly squared vertical edges, while those on the bottom have a small radius of 9 mm that facilitates cleaning operations. |

TECHNICAL DATA





OPTIONAL ACCESSORIES



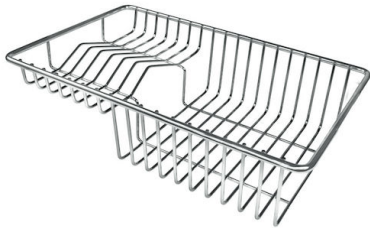
Chopping board
8656 001



Grating kit complete with ring support and food collection tray
8159 101



HDPE Twin Chopping Board
8644 100



Stainless Steel dishes holder
8100 303



Stainless steel perforated pan
8151 000

RECOMMENDED PAIRINGS



Faucet Capri
8467 005



Faucet Salina
8487 005



Milano Cooktop 4 burners inLine
7640 900



**Milano Induction Cooktop 4 Plate
inLine**
7334 945